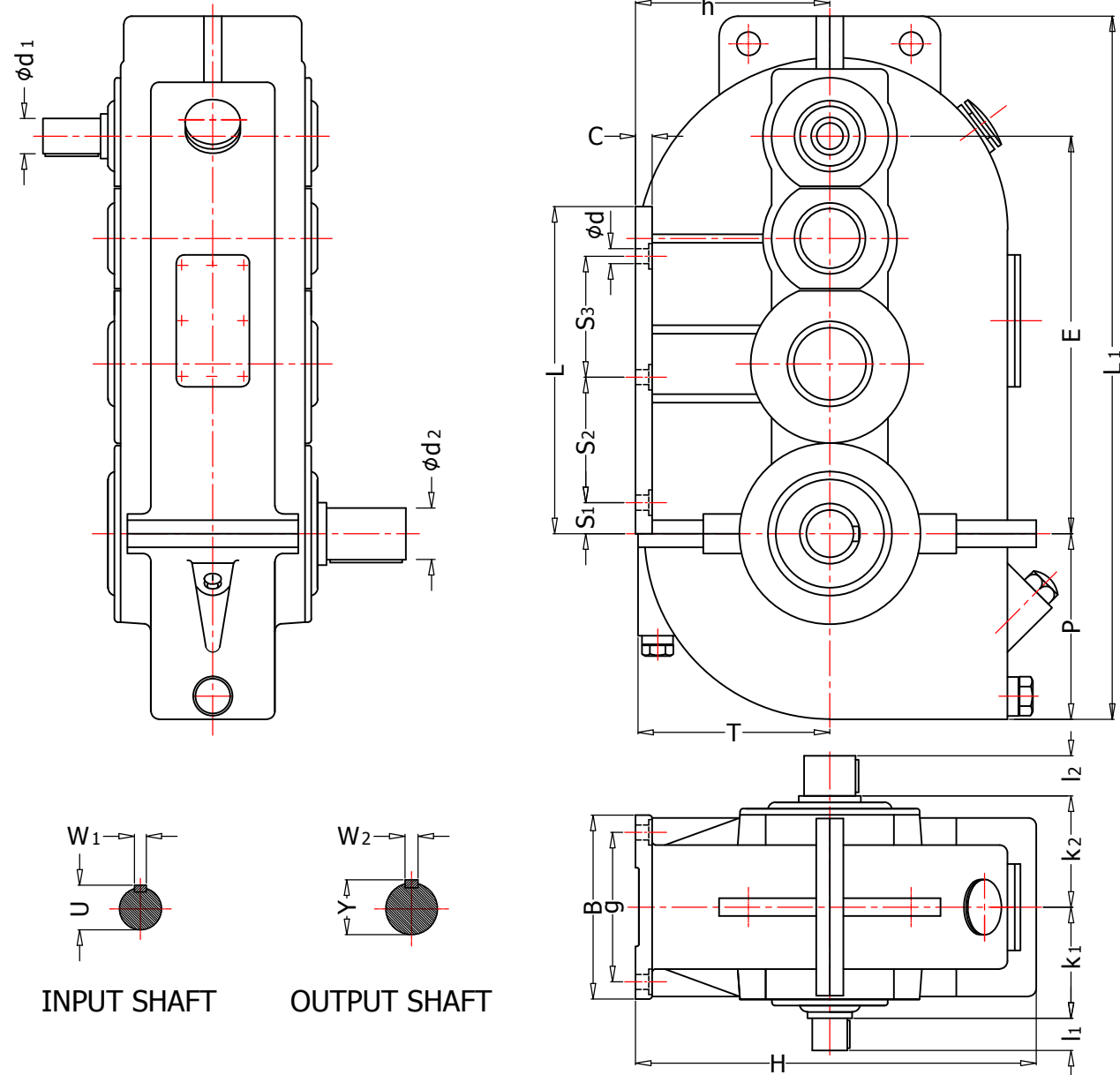


TRIPLE STAGE  
VERTICAL TYPE "SI-VC"



CRANE DUTY  
GEAR BOX



INPUT SHAFT

OUTPUT SHAFT

PRINCIPAL DIMENSIONS in mm

SIZE	HOUSING DIMENSIONS								FOUNDATION HOLE DETAILS							WEIGHT APPROX. KG
	VC	E	L	B	H	h	L <sub>1</sub>	P	T	S <sub>1</sub>	S <sub>2</sub>	S <sub>3</sub>	g	d	c	
280	280	240	176	272	130	483	113	128	50	--	140	140	14	20	4	117
320	320	270	190	295	140	543	123	138	60	--	150	150	17	20	4	150
350	350	280	225	320	150	595	135	148	60	--	160	185	17	20	4	165
400	400	330	230	376	178	680	170	176	45	110	120	188	18	20	6	190
475	475	482	270	475	225	815	205	221	50	80	200	215	18	25	8	225
550	550	560	285	488	235	880	215	230	50	70	320	245	18	30	8	278
600	600	625	350	570	250	975	240	---	50	70	375	305	18	35	8	324

SIZE	INPUT SHAFT			OUTPUT SHAFT			INPUT KEY		OUTPUT KEY	
	VC	d <sub>1</sub>	l <sub>1</sub>	k <sub>1</sub>	d <sub>2</sub>	l <sub>2</sub>	k <sub>2</sub>	W <sub>1</sub>	U	W <sub>2</sub>
280	24	50	110	40	55	115	8	27	12	43
320	28	65	120	48	70	125	8	31	14	51.5
350	28	65	140	48	70	145	8	31	14	51.5
400	30	70	145	55	90	150	8	33	16	59
475	38	105	160	65	105	175	10	41	18	69
550	38	105	195	80	105	187	10	41	22	85
600	38	105	210	80	120	215	10	41	22	85

TRIPLE STAGE  
VERTICAL TYPE "SI-VC"



CRANE DUTY

H.P Rating for Single stage Vertical Gear Boxes Type SIVC

SIZE	SIVC-280								RPM	SIVC-320								RPM	SIHA-350							
	960				720					960				720					960				720			
	Duty Ratio	I	II	III	IV	I	II	III		IV	Duty Ratio	I	II	III	IV	I	II		III	IV	Duty Ratio	I	II	III	IV	I
14.85	5.80	4.20	3.40	2.50	4.50	3.20	2.70	1.90	14.26	7.00	5.00	3.90	3.00	5.70	4.00	3.30	2.50	10.69	10.70	7.50	5.90	4.70	9.20	6.40	5.10	4.00
20.62	4.70	3.40	2.80	2.00	3.60	2.60	2.10	1.50	17.00	5.90	4.20	3.30	2.50	4.80	3.40	2.70	2.00	14.67	8.10	5.70	4.50	3.60	6.90	4.80	3.80	3.00
24.00	4.00	2.90	2.40	1.70	3.10	2.20	1.80	1.30	25.28	4.00	2.80	2.20	1.70	3.20	2.20	1.80	1.40	30.56	4.10	2.90	2.30	1.80	3.40	2.40	1.90	1.50
33.40	3.40	2.10	2.00	1.50	2.60	1.90	1.50	1.10	52.36	1.90	1.40	1.00	0.80	1.50	1.00	0.90	0.70	49.49	2.60	1.80	1.40	1.10	2.20	1.50	1.20	1.00

SIZE	SIVC-400								RPM	SIVC-475							
	960				720					960				720			
	Duty Ratio	I	II	III	IV	I	II	III		IV	Duty Ratio	I	II	III	IV	I	II
15.95	18.80	13.20	10.30	8.30	16.60	11.60	9.10	7.30	19.68	19.30	13.50	10.60	8.50	17.20	12.10	9.50	7.80
21.00	16.70	11.70	9.20	7.30	14.10	9.90	7.80	6.20	29.06	16.40	11.50	9.00	7.20	14.40	10.10	7.90	6.30
41.23	9.00	6.30	5.00	4.00	7.50	5.30	4.10	3.30	52.92	10.80	7.60	5.90	4.80	9.20	6.40	5.10	4.00
85.39	4.40	3.10	2.40	1.90	3.60	2.50	2.00	1.60	109.61	5.60	3.90	3.10	2.50	4.70	3.30	2.60	2.10

SIZE	SIVC-550								RPM	SIVC-600							
	960				720					960				720			
	Duty Ratio	I	II	III	IV	I	II	III		IV	Duty Ratio	I	II	III	IV	I	II
17.72	35.10	24.70	19.30	15.40	31.90	22.50	17.50	14.00	17.74	40.00	30.90	22.60	16.05	35.50	25.80	18.30	15.00
32.90	25.60	18.00	14.10	11.30	21.60	15.20	11.90	9.50	32.93	30.50	21.00	14.32	12.00	23.39	16.07	12.10	10.50
68.28	12.90	9.10	7.10	5.70	10.80	7.60	5.90	4.80	68.02	14.50	11.50	7.70	6.50	13.30	8.75	6.17	5.50
126.78	7.10	5.00	3.90	3.10	5.90	4.20	3.20	2.60	126.29	8.75	6.00	5.10	3.69	6.00	4.50	3.50	2.90