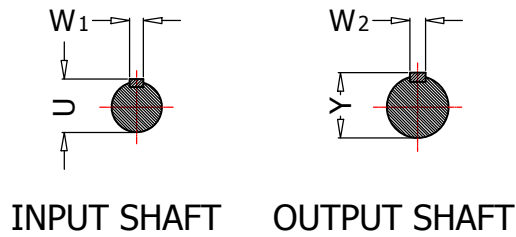
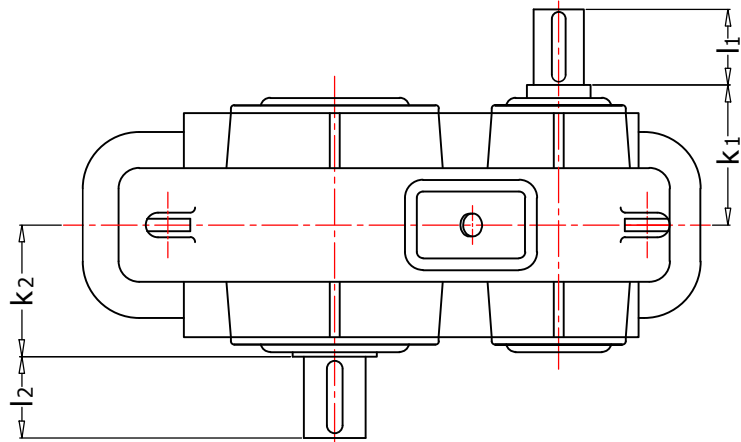
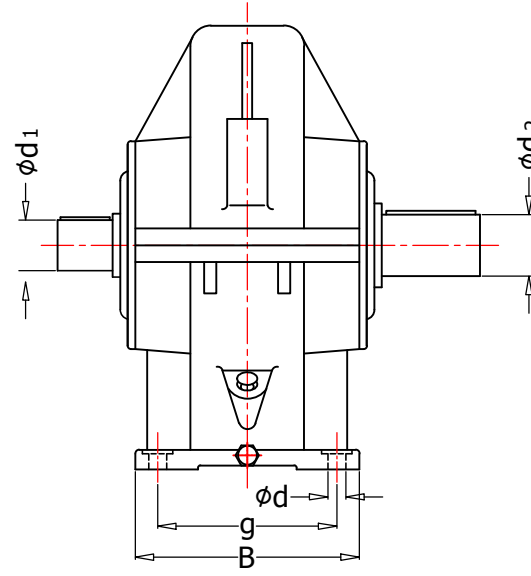
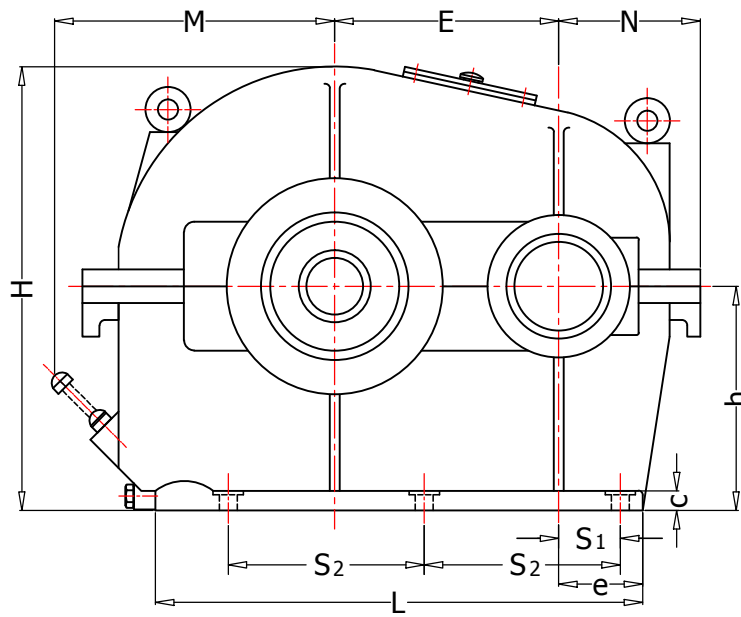


SINGLE STAGE
HORIZONTAL TYPE "SI-HA"



CRANE DUTY
GEAR BOX



INPUT SHAFT OUTPUT SHAFT

PRINCIPAL DIMENSIONS in mm

SIZE	HOUSING DIMENSIONS								FOUNDATION HOLE DETAILS					WEIGHT APPROX. KG	
	SI-HA	E	e	L	B	H	h	N	M	S ₁	S ₂	g	d		c
100	100	52	260	154	233	125	95	--	30	170	115	15	18	4	39
150	150	60	330	190	323	170	115	225	35	230	150	17	22	4	80
200	200	70	410	225	423	225	142	275	45	300	180	17	25	4	136
250	250	75	505	300	515	265	165	330	45	190	230	25	25	6	250
300	300	75	580	330	610	315	190	420	45	230	260	25	30	6	327
350	350	95	695	385	697	355	220	465	55	280	315	32	35	6	610
400	400	150	870	400	792	400	253	500	110	350	320	32	35	6	820

SIZE	INPUT SHAFT			OUTPUT SHAFT			INPUT KEY		OUTPUT KEY	
SI-HA	d ₁	l ₁	k ₁	d ₂	l ₂	k ₂	W ₁	U	W ₂	Y
100	30	60	82	35	55	92	8	33	10	38
150	40	85	100	55	85	115	12	43	16	59
200	50	85	155	80	120	125	14	53.5	22	85
250	60	108	205	80	120	160	18	64	22	85
300	60	108	220	80	120	175	18	64	22	85
350	90	135	242	110	145	228	25	95	28	116
400	90	135	250	110	145	235	25	95	28	116

SINGLE STAGE
HORIZONTAL TYPE "SI-HA"



CRANE DUTY
GEAR BOX

H.P Rating for Single stage Horizontal Gear Boxes Type HA

SIZE	SIHA-100								SIHA-150								SIHA-200							
	960				720				960				720				960				720			
	Duty Ratio	I	II	III	IV	I	II	III	IV	I	II	III	IV	I	II	III	IV	I	II	III	IV	I	II	III
1.83	24.60	17.60	13.50	10.80	19.20	13.60	10.60	8.45	81.80	59.00	45.50	36.40	64.80	46.00	36.60	28.50	178.00	126.00	98.00	78.00	139.00	100.00	76.50	61.00
2.30	21.30	15.10	11.70	9.35	17.00	12.10	9.35	7.50	71.50	50.70	39.40	31.40	56.70	40.50	31.20	25.00	158.00	112.00	87.00	69.50	125.00	89.00	69.00	55.00
2.81	18.00	12.80	9.90	7.90	14.50	10.80	8.20	6.80	60.50	43.00	33.30	26.60	48.80	36.00	27.30	22.90	135.00	96.00	74.00	59.50	109.00	79.50	62.00	50.00
3.50	15.60	11.10	8.60	6.85	12.80	9.10	7.05	5.60	52.70	37.40	29.00	23.20	43.20	30.60	23.70	19.00	120.00	85.00	66.00	52.50	98.00	70.00	54.00	43.00
3.95	14.20	9.90	7.82	6.25	11.20	8.00	6.15	4.90	46.50	32.20	25.60	20.40	36.20	26.00	20.00	16.00	110.00	76.50	60.70	48.50	86.00	61.00	47.50	38.00
4.50	12.60	9.15	7.05	5.50	9.90	7.20	5.50	4.35	42.20	30.60	23.60	18.30	33.00	24.00	18.50	14.60	99.00	71.50	55.50	43.00	78.00	57.00	43.70	35.40
5.60	10.20	7.10	5.40	4.44	8.40	5.95	4.60	3.80	34.40	23.90	18.30	15.30	28.20	20.00	15.40	12.70	81.50	56.60	43.30	36.20	67.00	47.50	36.60	30.20
6.62	8.26	5.75	4.40	3.60	6.70	4.70	3.66	3.02	27.90	19.40	14.80	12.40	22.80	16.20	12.50	10.30	66.10	47.00	35.20	29.40	54.00	38.40	29.50	24.30
8.00	6.70	4.65	3.56	2.92	5.40	3.84	2.95	2.44	22.40	15.00	11.90	10.00	18.40	13.10	10.10	8.30	53.00	35.40	28.20	23.60	43.50	30.80	23.80	19.60

SIZE	SIHA-250								SIHA-300								SIHA-350							
	960				720				960				720				960				720			
	Duty Ratio	I	II	III	IV	I	II	III	IV	I	II	III	IV	I	II	III	IV	I	II	III	IV	I	II	III
1.83	346.00	246.00	190.00	152.00	270.00	192.00	151.00	119.00	664.00	470.00	364.00	292.00	520.00	370.00	286.00	229.00	1050.00	735.00	575.00	460.00	820.00	580.00	450.00	360.00
2.30	308.00	218.00	169.00	135.00	244.00	173.00	134.00	107.00	572.00	405.00	314.00	252.00	453.00	322.00	250.00	199.00	910.00	645.00	500.00	400.00	720.00	512.00	396.00	317.00
2.81	260.00	184.00	143.00	114.00	210.00	153.00	120.00	98.50	485.00	344.00	266.00	214.00	392.00	286.00	223.00	172.00	768.00	545.00	423.00	337.00	620.00	452.00	352.00	272.00
3.50	235.00	167.00	130.00	104.00	192.00	136.00	105.00	84.00	420.00	300.00	231.00	185.00	344.00	244.00	189.00	151.00	667.00	465.00	367.00	294.00	545.00	386.00	300.00	240.00
3.95	218.00	153.00	120.00	96.00	170.00	121.00	93.50	75.00	374.00	260.00	207.00	165.00	290.00	206.00	160.00	130.00	605.00	420.00	334.00	266.00	470.00	334.00	260.00	206.00
4.50	193.00	140.00	108.00	84.00	150.00	109.00	84.00	69.00	336.00	243.00	188.00	146.00	262.00	191.00	145.00	118.00	530.00	384.00	297.00	231.00	414.00	302.00	232.00	186.00
5.60	159.00	111.00	85.50	69.00	130.00	92.20	70.80	58.50	275.00	191.00	146.00	120.00	226.00	160.00	123.00	102.00	437.00	304.00	232.00	190.00	358.00	254.00	195.00	161.00
6.62	129.00	89.60	69.50	56.00	105.00	74.50	57.20	47.20	223.00	155.00	118.50	97.00	182.00	129.00	99.00	82.00	354.00	246.00	188.00	154.00	290.00	206.00	158.00	131.00
8.00	102.00	71.00	54.20	44.40	83.50	58.50	45.50	37.50	179.00	124.00	95.50	77.70	147.00	104.00	80.00	66.00	262.00	182.00	139.00	114.00	214.00	152.00	117.00	96.00

SIZE	SIHA-400							
	960				720			
	Duty Ratio	I	II	III	IV	I	II	III
1.83	1570.00	1020.00	865.00	690.00	1225.00	870.00	673.00	538.00
2.30	1360.00	965.00	745.00	597.00	1080.00	765.00	595.00	475.00
2.81	1142.00	810.00	628.00	502.00	920.00	670.00	523.00	405.00
3.50	1000.00	715.00	552.00	440.00	818.00	580.00	450.00	360.00
3.95	909.00	630.00	502.00	400.00	710.00	505.00	390.00	312.00
4.50	810.00	585.00	455.00	352.00	630.00	460.00	352.00	277.00
5.60	652.00	454.00	346.00	283.00	535.00	380.00	292.00	240.00
6.62	528.00	368.00	280.00	230.00	433.00	308.00	236.00	195.00
8.00	390.00	271.00	207.00	170.00	320.00	227.00	174.00	144.00